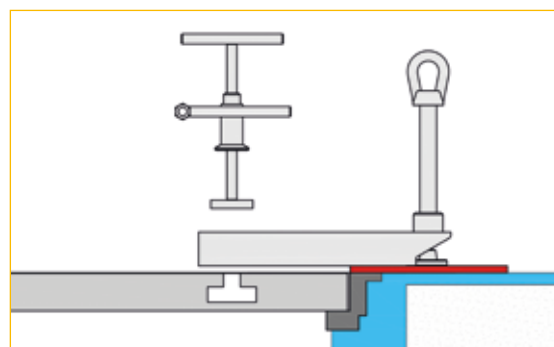


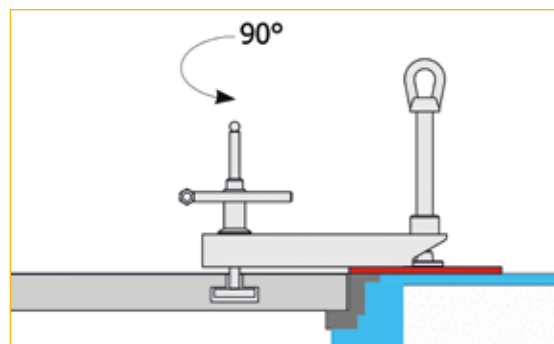
ES 1

SCREW EXTRACTOR FOR THE RELEASE OF BLOCKED AND OXIDIZED MANHOLES

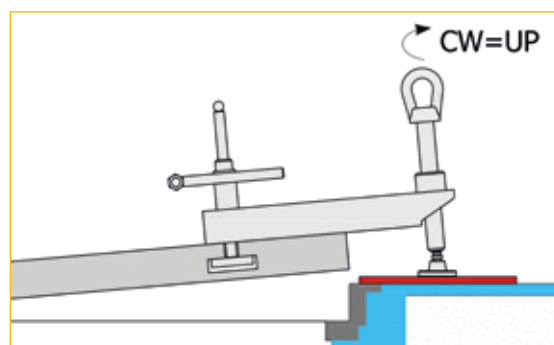
Safety aid that avoids dangerous hammering to unlock lids or manhole covers blocked by inactivity, rust, scale or deformation.



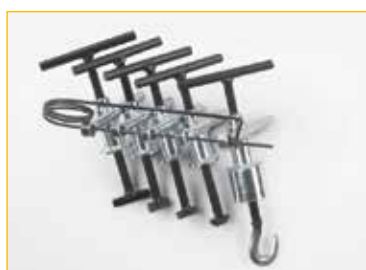
Phase 1. Insertion of the mechanical hook into the appropriate slot.



Phase 2. Rotating the mechanical hook and locking it.



Phase 3 The clockwise rotation of the screw allows the initial release and unblocking of the lid.



Use with ITALIFTERS mechanical hooks.

TECHNICAL CHARACTERISTICS		
Code		K0278
Weight without clamp	Kg	2,3
Length	cm	30