

TELESCOPIC LOWERED SIPHONED GULLY 150 x 150



INDEX

1. Code Registry
2. Use
3. Technical Specification

1. CODE REGISTRY

Code	Description	Dimensions (mm)	Weight	Pkg. / Pallet
TER07-1342PP	Lowered Siphoned Gully (ABS grating and frame)	150 x 150	0,150 kg/pc.	12 pcs / 180 pcs
TER07-1342IP	Lowered Siphoned Gully (AISI 304 Stainless steel grating and ABS frame)	150 x 150	0,150 kg/pc.	12 pcs / 180 pcs
TER07-1342IT	Lowered Siphoned Gully (AISI 304 Stainless steel grating and frame)	150 x 150	0,150 kg/pc.	12 pcs / 180 pcs

MATERIAL

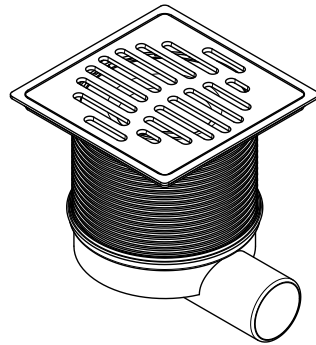
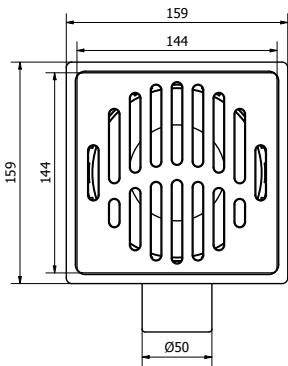
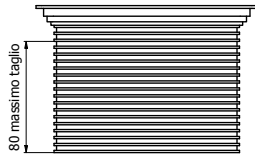
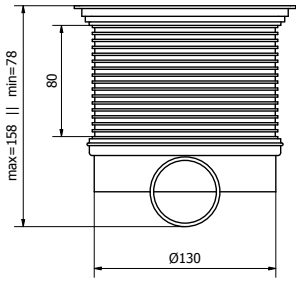
Made of ABS. The grating and/or the frame are AISI 304 stainless steel.

2. USE

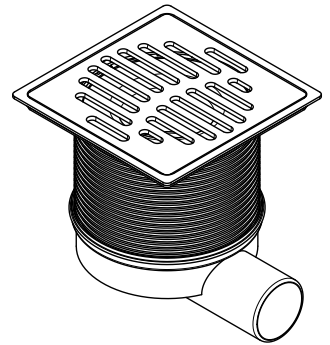
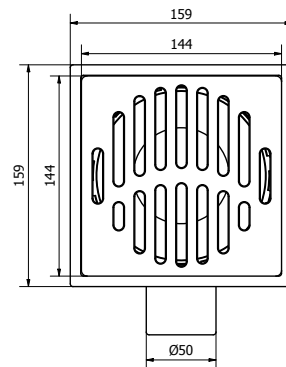
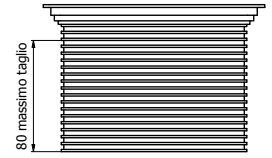
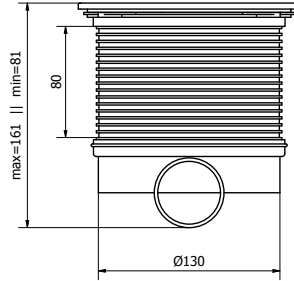
Used for drainage of rain water on the terraces, or on screeds little shimmed and/or where the slope does not allow the inlet "elbow" to the outlet.

TELESCOPIC LOWERED SIPHONED GULLY 150 x 150

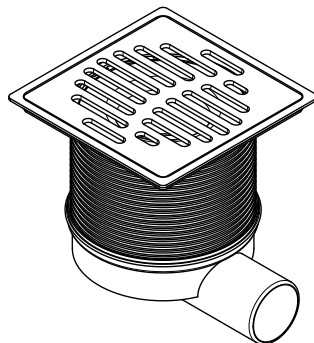
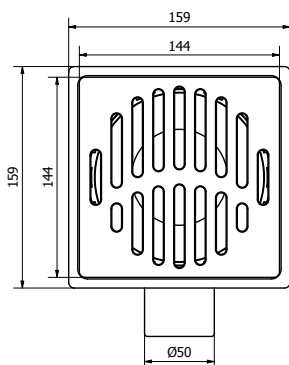
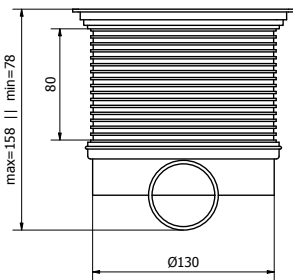
TER07-1342IP



TER07-1342IT



TER07-1342PP



TELESCOPIC LOWERED SIPHONED GULLY 150 x 150

3. TECHNICAL SPECIFICATION

Specification	Description	Unity	Price
Dak.D.TER07.1342xx	Supply and installation of telescopic gully, with AISI 304 Stainless steel BA or PP grating. The bottom outlet can be lowered oriented and rotated up to 360 degrees. Available in various versions: ABS grating and frame, ABS frame and AISI 304 Stainless steel grating or AISI 304 Stainless steel frame and grating. It is a patented product by Dakota. The internal outlet dimension is 45 mm, the external one is 50 mm Made of ABS. The grating and/or the frame are AISI 304 stainless steel. Used for drainage of rain water on the terraces, or on screeds little shimmed and/or where the slope does not allow the inlet "elbow" to the outlet.		
Dak.D.TER07.1342PP	ABS grating and frame.....	pc.	-
Dak.D.TER07.1342IP	AISI 304 Stainless steel grating and ABS frame.....	pc.	-
Dak.D.TER07.1342IT	AISI 304 Stainless steel grating and frame.....	pc.	-