

SIPHONED GULLY, LOW OUTLET



INDEX

1. Code Registry

2. Use

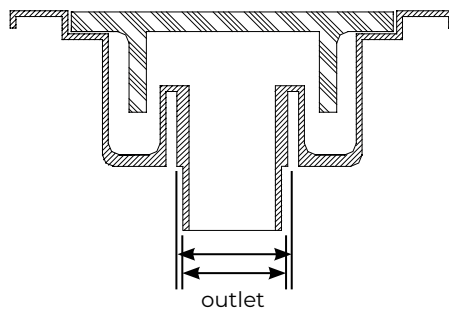
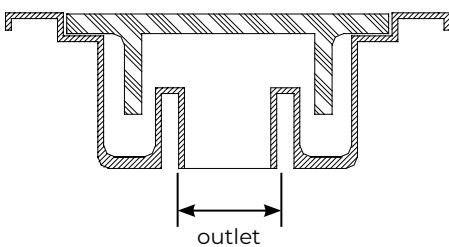
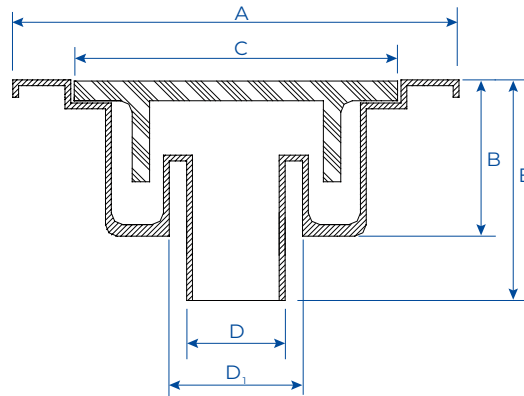
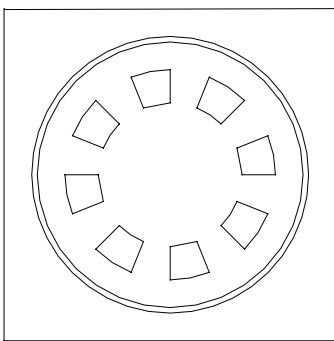
3. Technical Specification

1. CODE REGISTRY

Code	Description	Dimensions (mm)	Outlet	Weight	Pkg. / Pallet
TER01-1310G	Siphoned Gully (PP grating and frame)	100 x 100	40 mm	0,115 kg/pc.	40 pc. / 1.600 pcs
TER01-1312G	Siphoned Gully (PP grating and frame)	125 x 125	50 mm	0,200 kg/pc.	32 pc. / 768 pcs
TER01-1315G	Siphoned Gully (PP grating and frame)	150 x 150	50 mm	0,330 kg/pc.	32 pc. / 768 pcs
TER01-1315GS	Siphoned Gully (PP grating and frame) - Sand	150 x 150	50 mm	0,330 kg/pc.	32 pc. / 768 pcs
TER01-1320G	Siphoned Gully (PP grating and frame)	200 x 200	80/90 mm	0,570 kg/pc.	18 pc. / 216 pcs
TER01-1320GS	Siphoned Gully (PP grating and frame) - Sand	200 x 200	80/90 mm	0,570 kg/pc.	18 pc. / 216 pcs
TER01-1325G	Siphoned Gully (PP grating and frame)	250 x 250	90/100 mm	0,598 kg/pc.	18 pc. / 108 pcs
TER01-1330G	Siphoned Gully (PP grating and frame)	300 x 300	100/110 mm	1,236 kg/pc.	18 pc. / 72 pcs

MATERIAL

Made of PP (polypropylene).



	A	B	C	D	D ₁	E
TER01-1310G	100	47	90	40	-	- mm
TER01-1312G	125	60	110	50	-	- mm
TER01-1315G	150	60	135	50	-	- mm
TER01-1315GS	150	60	135	50	-	- mm
TER01-1320G	200	80	178	80/90	-	115 mm
TER01-1320GS	200	80	178	80/90	-	115 mm
TER01-1325G	250	118	227	90/100	115	- mm
TER01-1330G	300	136	267	100/110	125	- mm

SIPHONED GULLY, LOW OUTLET

2. USE

Used for the drainage of rainwater on terraces.

3. TECHNICAL SPECIFICATION

Specification	Description	Unity	Price
Dak.D.TER01.13xxGx	Supply and installation of siphoned gully PP grating and frame, resistant to weathering agents and easy to inspect. Vertical discharge outlet of different diameters (see table). It is a product patented by Dakota. Available in various sizes: from 100 x 100 to 300 x 300 PP frame and grating. Made of PP (polypropylene). Used for the drainage of rainwater on terraces.		
Dak.D.TER01.1310G	Dimension 100 x 100 mm.....	pc.	-
Dak.D.TER01.1312G	Dimension 125 x 125 mm.....	pc.	-
Dak.D.TER01.1315G	Dimension 150 x 150 mm.....	pc.	-
Dak.D.TER01.1315GS	Dimension 150 x 150 mm - Sand.....	pc.	-
Dak.D.TER01.1320G	Dimension 200 x 200 mm.....	pc.	-
Dak.D.TER01.1320GS	Dimension 200 x 200 mm - Sand.....	pc.	-
Dak.D.TER01.1325G	Dimension 250 x 250 mm.....	pc.	-
Dak.D.TER01.1330G	Dimension 300 x 300 mm.....	pc.	-