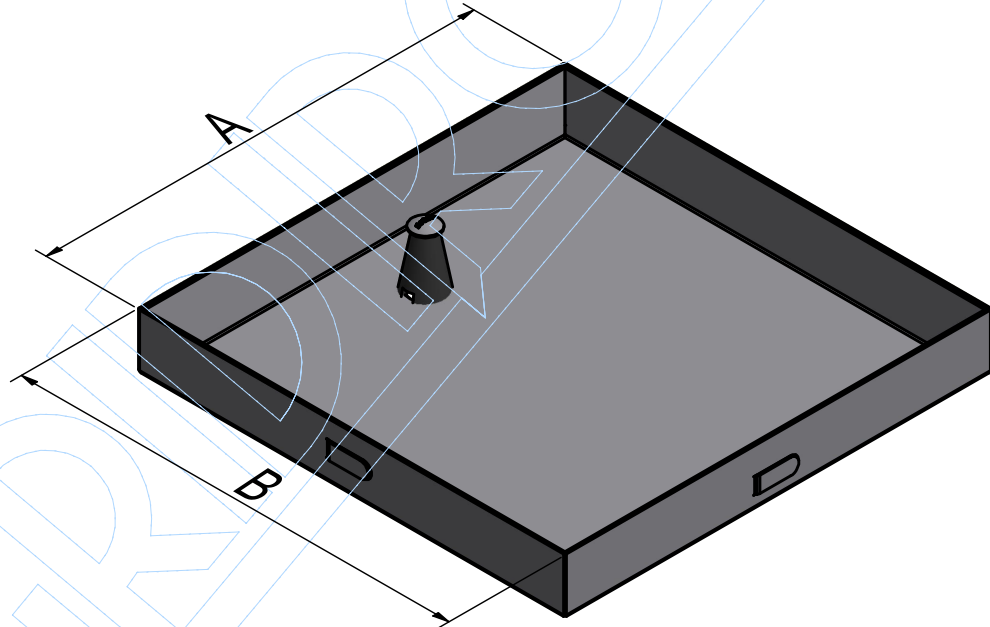
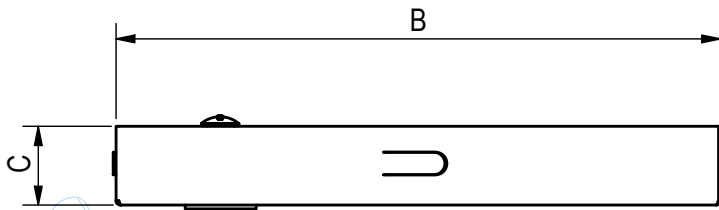


TECHNICAL SHEET

CODE	7021
	JOB model filling MANHOLE COVER made of hot-dip pre-galvanised 15/10 metal sheet, inclusive of frame and cap with screw for lifting.
TYPE	Recessed manholes
MATERIAL	Metal sheet DX51D - EN 10346/EN 10143
FINISHING	Galvanized Z200 - EN 10346
LOADING CLASS	Determined by the infill material
NORM	UNI EN124:2015



A	B	C	D	E	F
LENGHT mm	WIDTH mm	HEIGHT mm	TRAY THICKNESS	FRAME THICKNESS	WEIGHT Kg
240	240	55	1,5	1,5	1,84