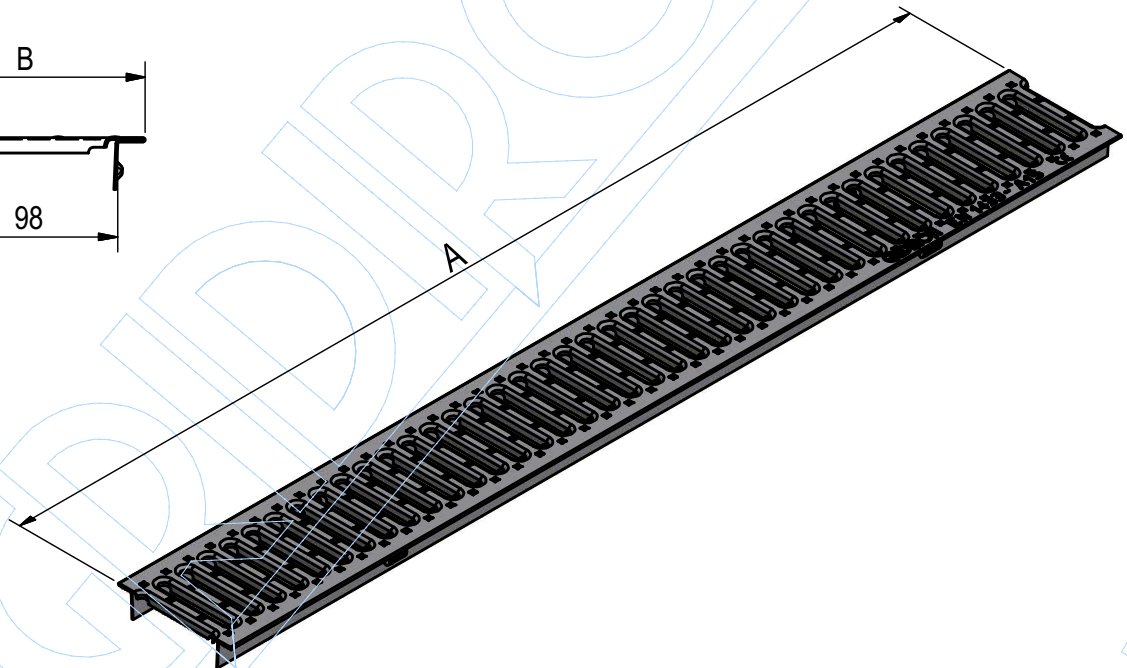
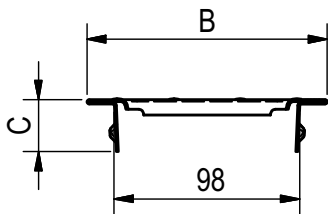


TECHNICAL SHEET



CODE	4505GLA
	Press-formed 10/10 galvanised metal sheet INLAY GRATING, self-locking, to be combined with model BASE and BASE 100 LOW channels.
TYPE	Press-molded metal in-lay cover
MATERIAL	Metal sheet DX51D - EN 10346/EN 10143
SURFACE FINISH	Galvanized Z200 - EN 10346
LOADING CLASS	Class A15
NORM	EN 1433:2008
SLOT SIZE	8 mm x 92 mm



A	B	C	D	E
LENGHT MM	WIDTH MM	HEIGHT MM	THICKNESS MM	WEIGHT KG
1000	120	30	1	1,44