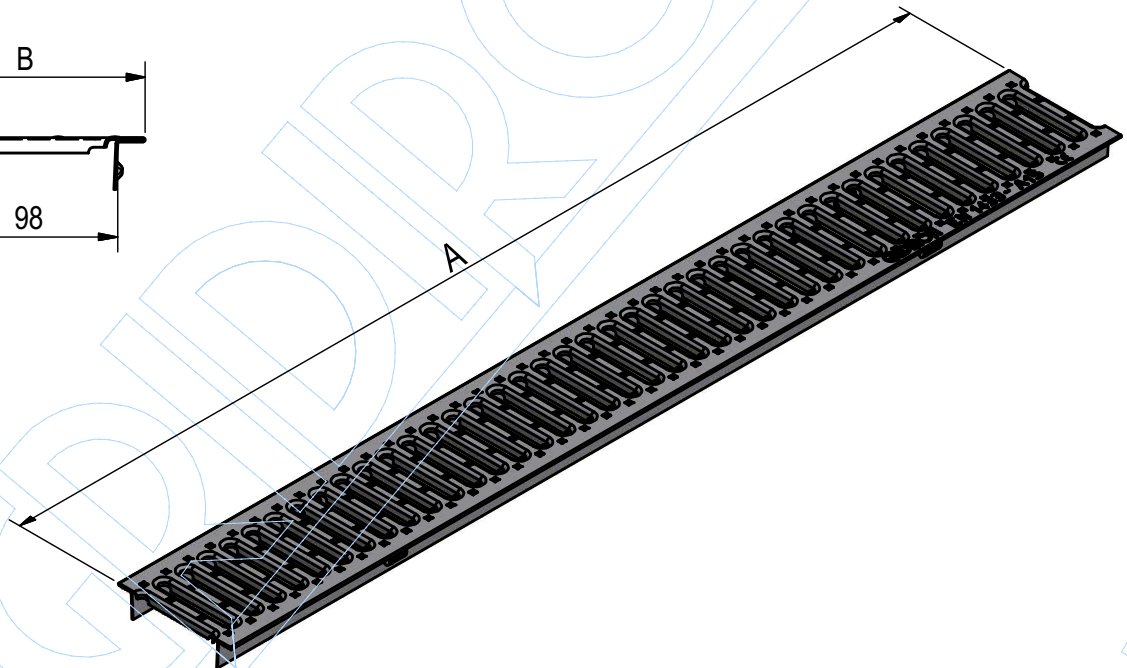
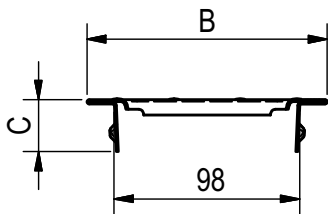


# TECHNICAL SHEET



CODE	4505GIA
	Press-formed 8/10 stainless steel metal sheet INLAY GRATING, heelguard, self-locking, to be combined with model BASE and BASE 100 LOW channels.
TYPE	Press-molded metal in-lay cover
MATERIAL	Stainless Steel BS 304 S 15 - AISI 304
SURFACE FINISH	None
LOADING CLASS	Class A15
NORM	EN 1433:2008
SLOT SIZE	8 mm x 92 mm



A	B	C	D	E
LENGHT MM	WIDTH MM	HEIGHT MM	THICKNESS MM	WEIGHT KG
1000	120	30	0,8	1,2